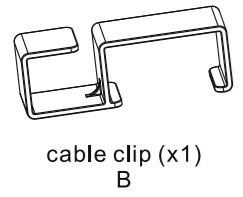
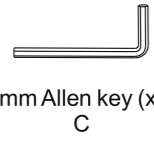


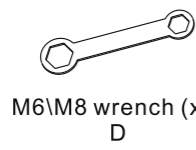
wall mount (x1)  
A



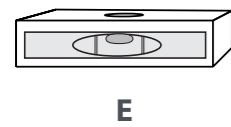
cable clip (x1)  
B



6mm Allen key (x1)  
C



M6/M8 wrench (x1)  
D



E

**Package M**

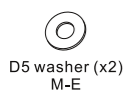


M4x14 (x4)  
M-A

M5x14 (x4)  
M-B

M6x14 (x4)  
M-C

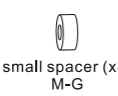
M8x20 (x4)  
M-D



D5 washer (x2)  
M-E

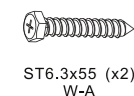


D8 washer (x2)  
M-F

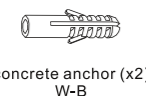


small spacer (x8)  
M-G

**Package W**



ST6.3x55 (x2)  
W-A



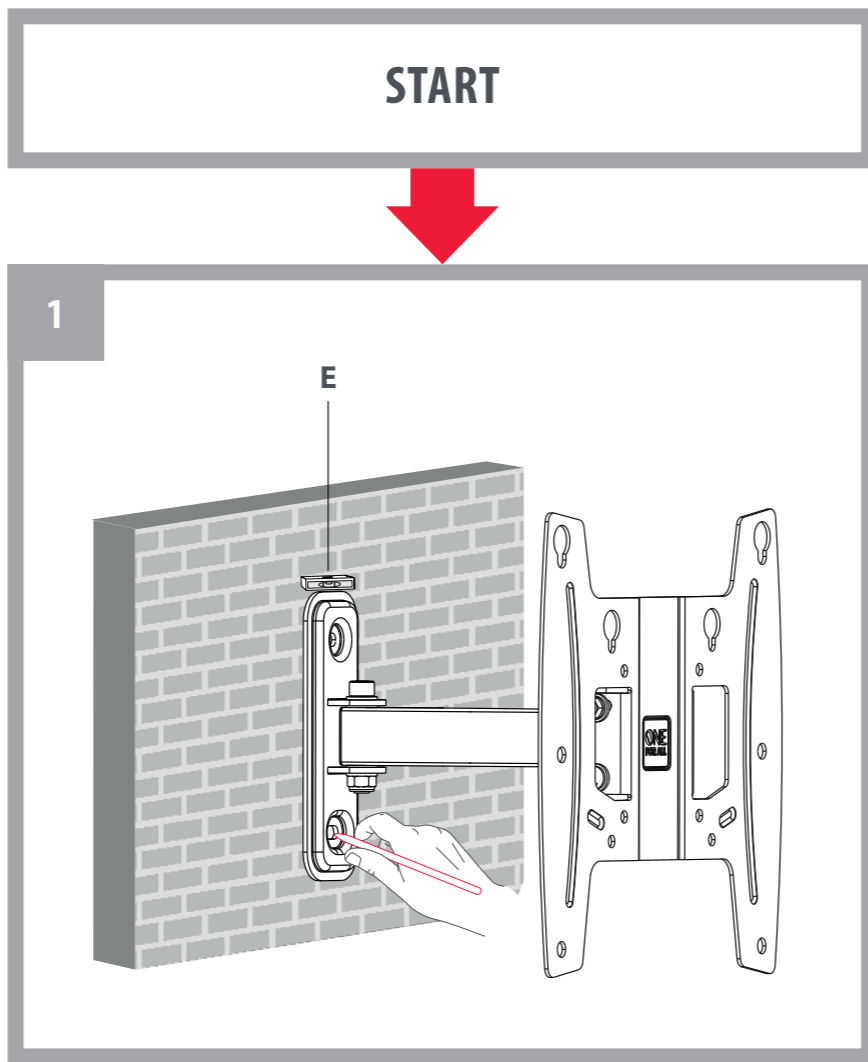
concrete anchor (x2)  
W-B



D6 washer (x2)  
W-C

WM4241  
10620  
R01/1010519  
Universal Electronics BV - Europe & International  
P.O. Box 3332, 7500 DH Enschede  
The Netherlands

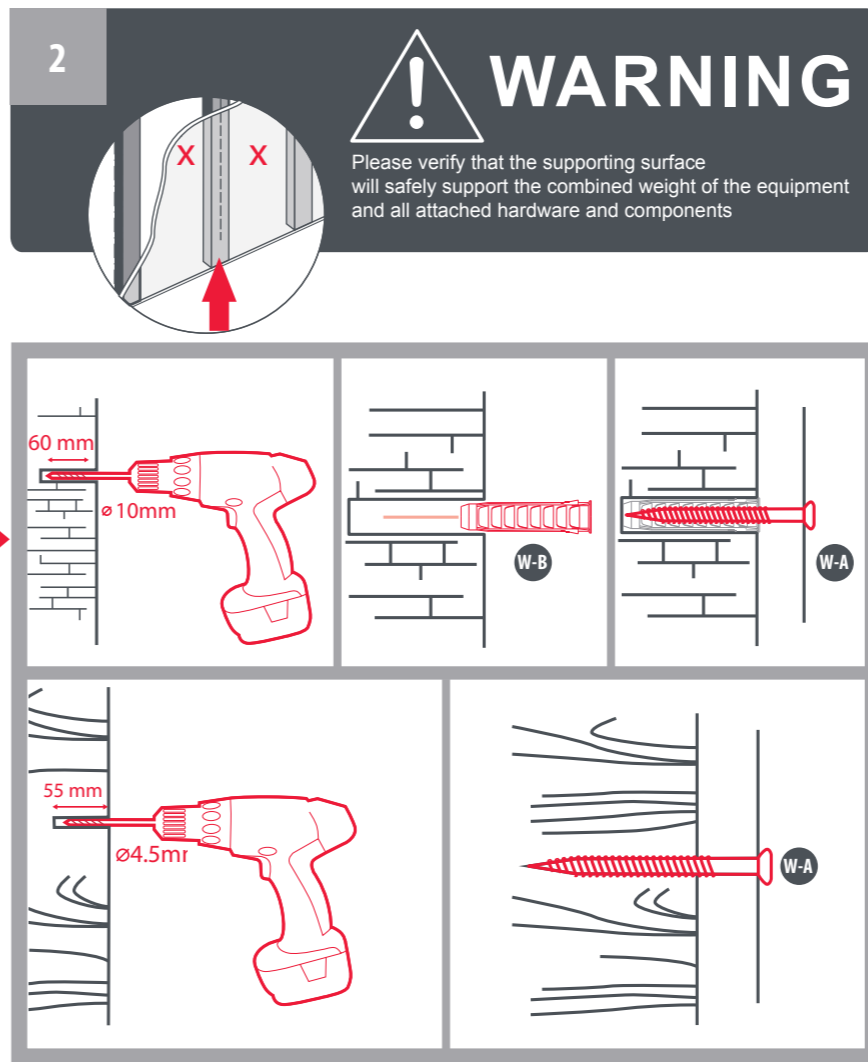
**START**



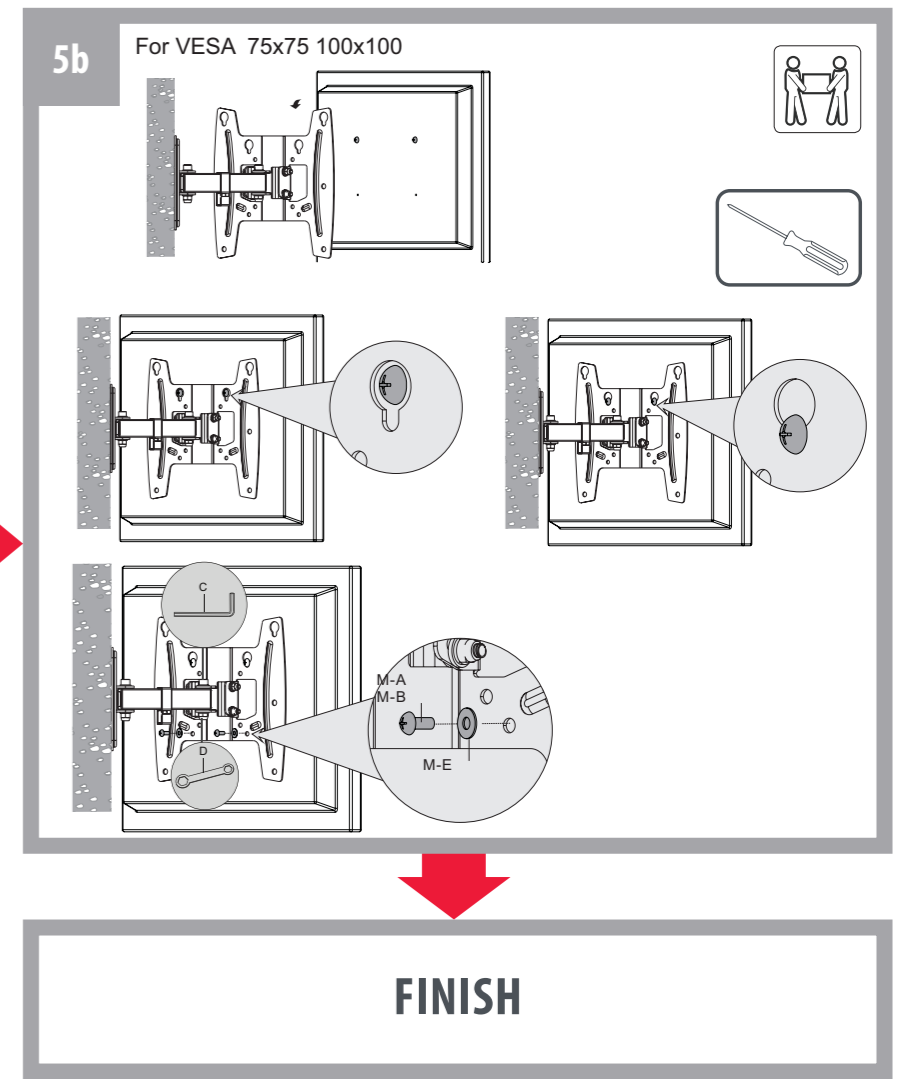
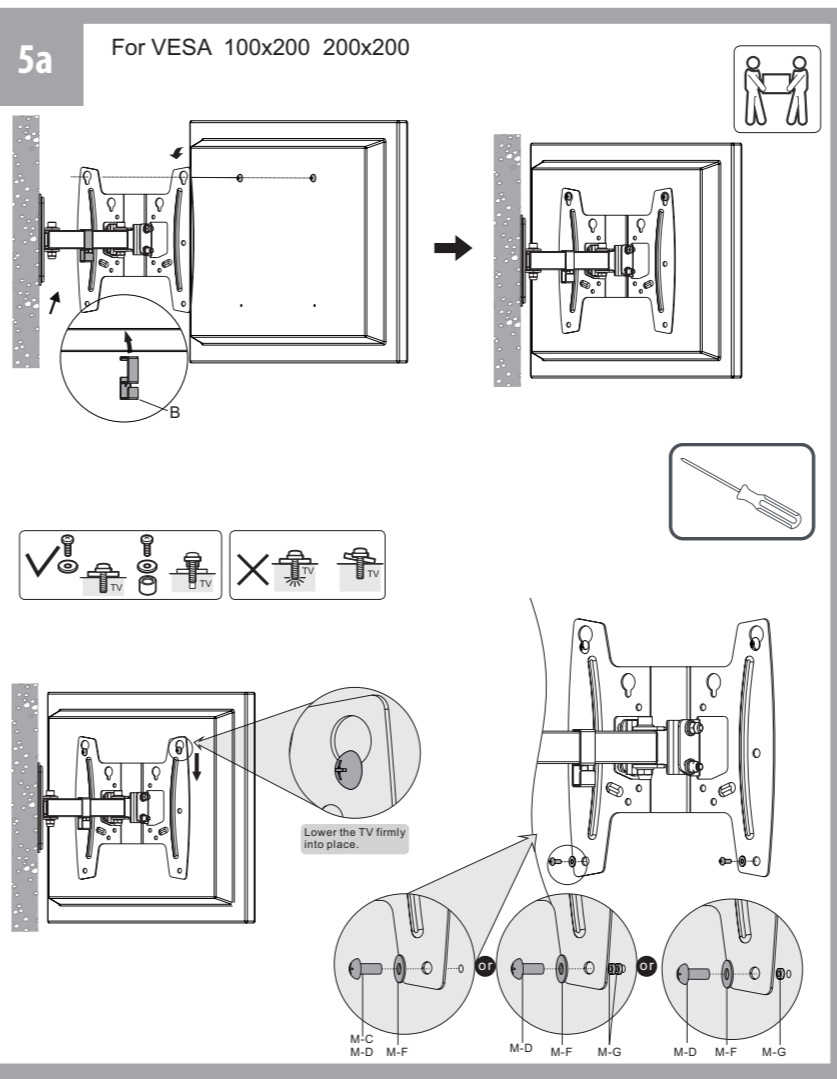
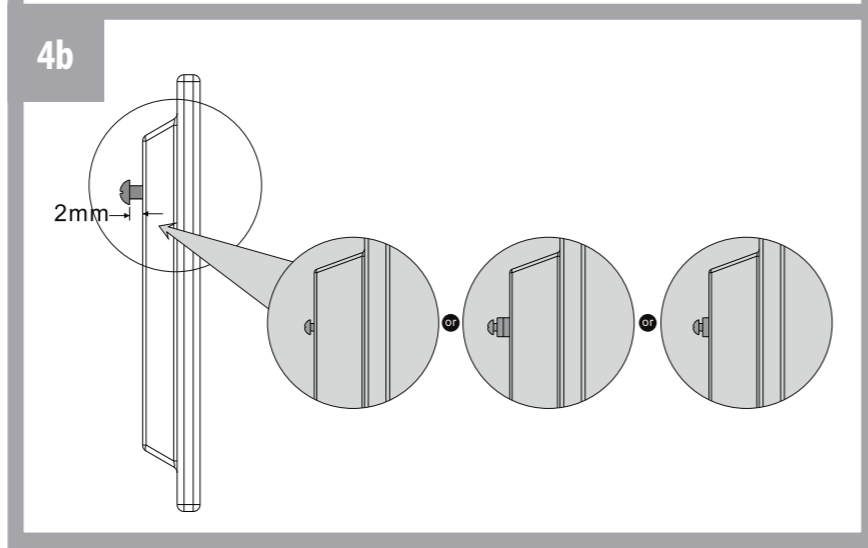
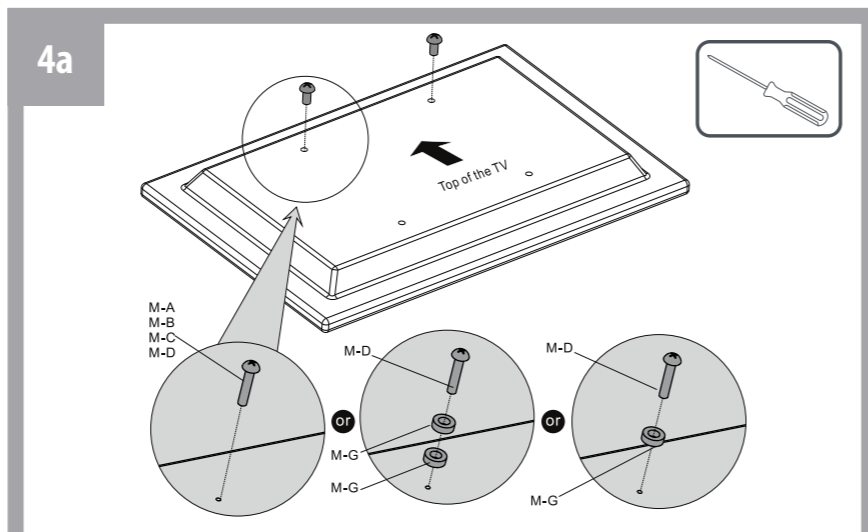
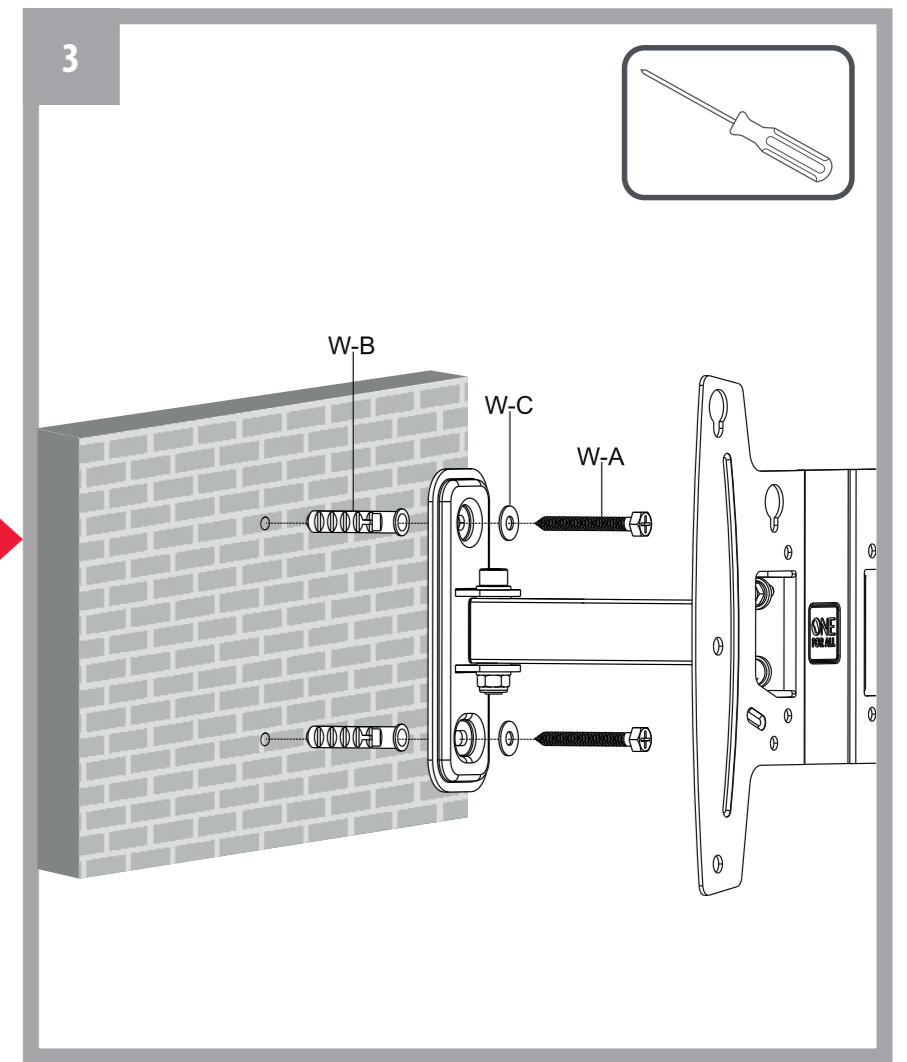
**2**

**WARNING**

Please verify that the supporting surface will safely support the combined weight of the equipment and all attached hardware and components



**3**



**FINISH**